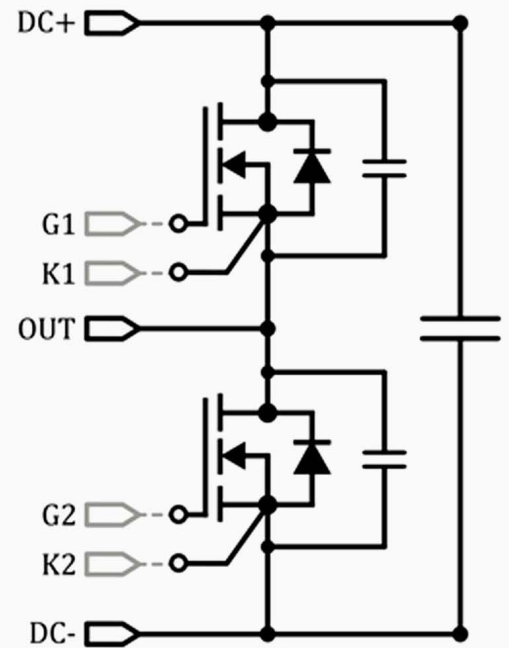
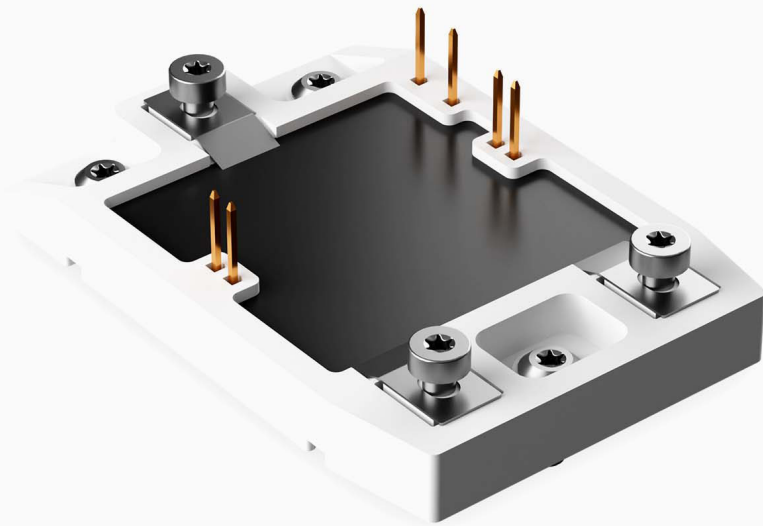


2-Level Half-Bridge + Integrated Passives



Specifications

2-Level Half-Bridge Topology
Integrated Passives (drain-source snubber and decoupling)

Voltage rating: 700V - 1200V

Current rating: 25 - 50 Arms, 150A pulsed

RdsOn: 10-20 mOhm

Medium size module (21 cm³)

High level of integration which optimizes electrical parameters

Lower design effort and time-to-market or upgrade existing systems

Broad experience in customized solutions for high power and High precision applications. Contact us

sales@prodrive-technologies.com